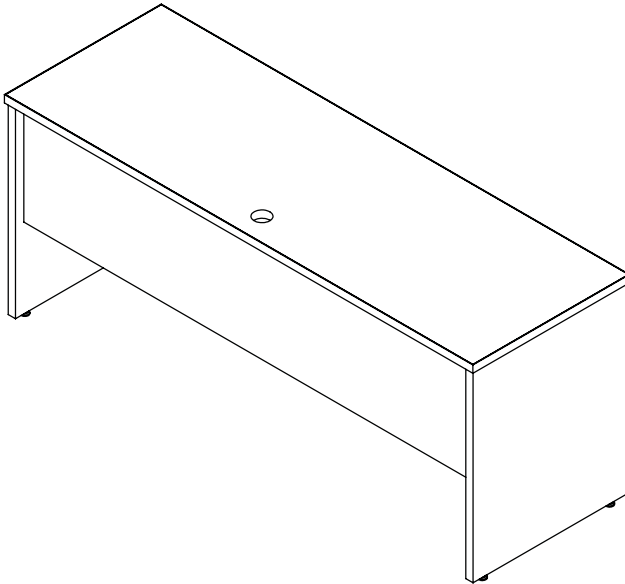


PRIME

CREDENZAS SHELL WITH 1/2
MODESTY PANEL
ASSEMBLY INSTRUCTION



COD. GBR510

Gebesa
CREATING AMAZING SPACES

Questions?

Call Toll Free 1-844-2GEBESA or email warranty@gebesa.com



(D)
MINIFIX BOLT

11x



(E)
MINIFIX BARREL

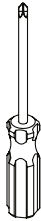
11x



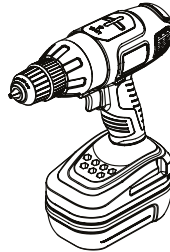
(F)
MINIFIX CAP

11x

REQUIRED ASSEMBLY TOOLS NOT INCLUDED

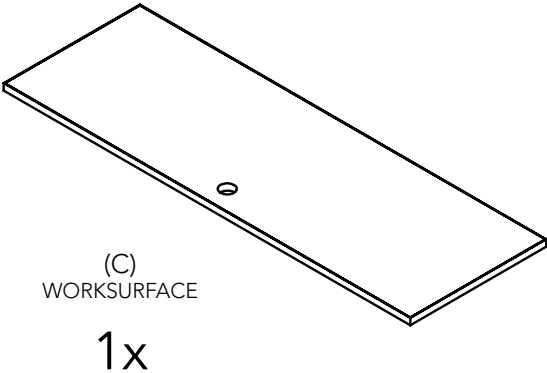
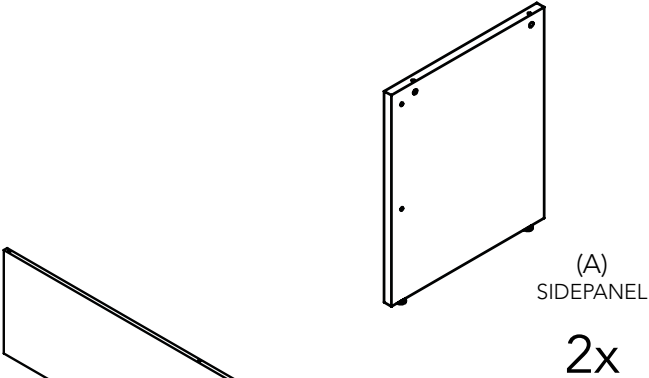


SCREW DRIVER



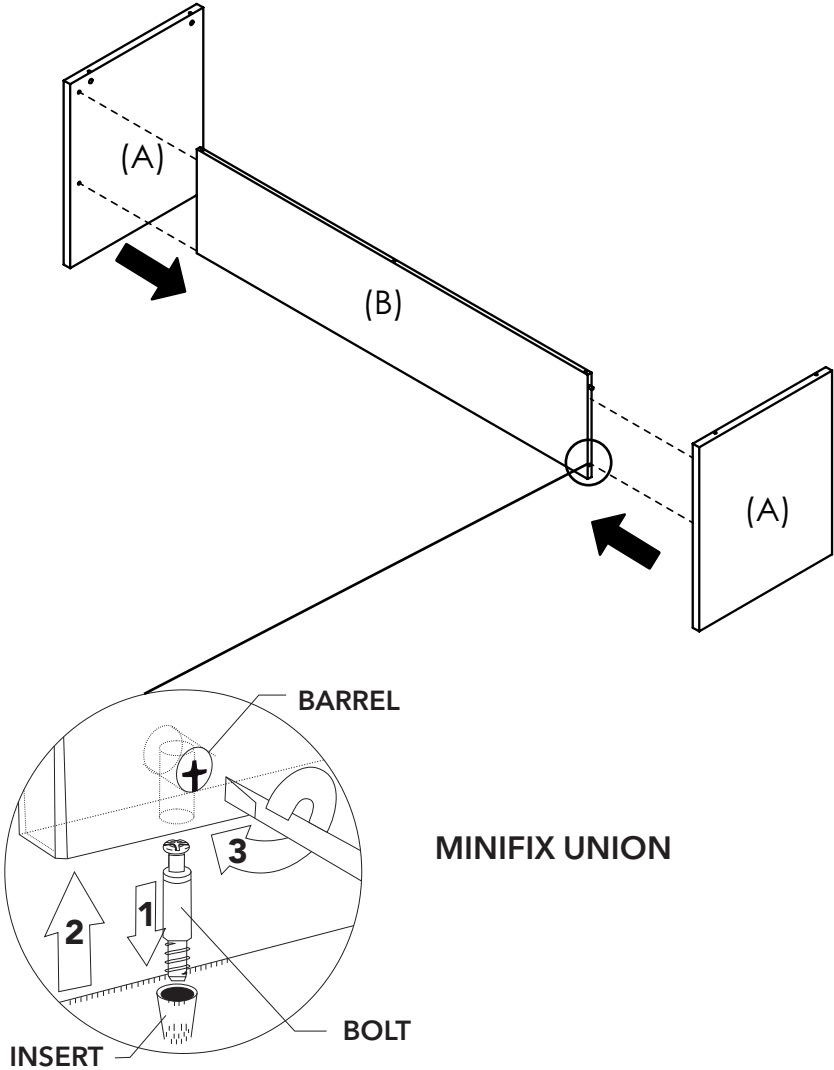
DRILL

PRIME



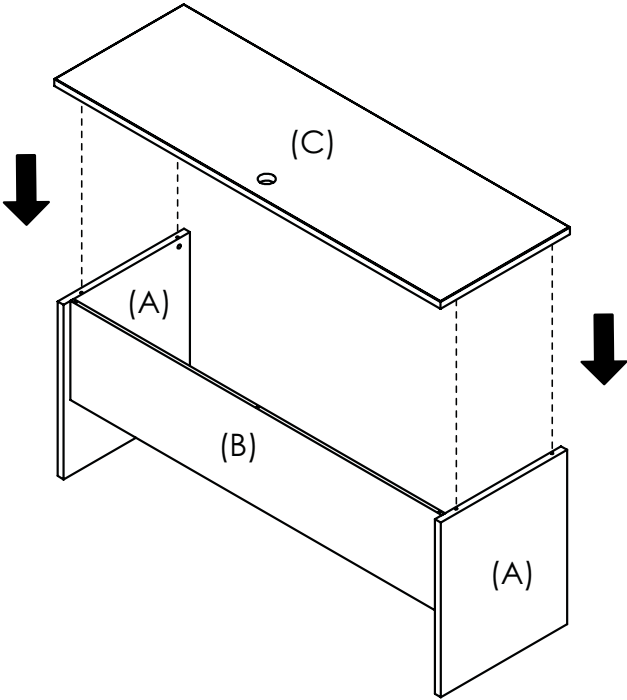
PRIME

1. USE THE MINIFIX UNION (D) TO PLACE (A) ON SIDES OF (B) AS IS SHOWN IN THE FOLLOWING IMAGE.



PRIME

- 2. USE THE MINIFIX UNION(D) TO PLACE (C) ABOVE (A)&(B) AS IS SHOWN IN THE FOLLOWING IMAGE.



USE SUGGESTED TOOLS

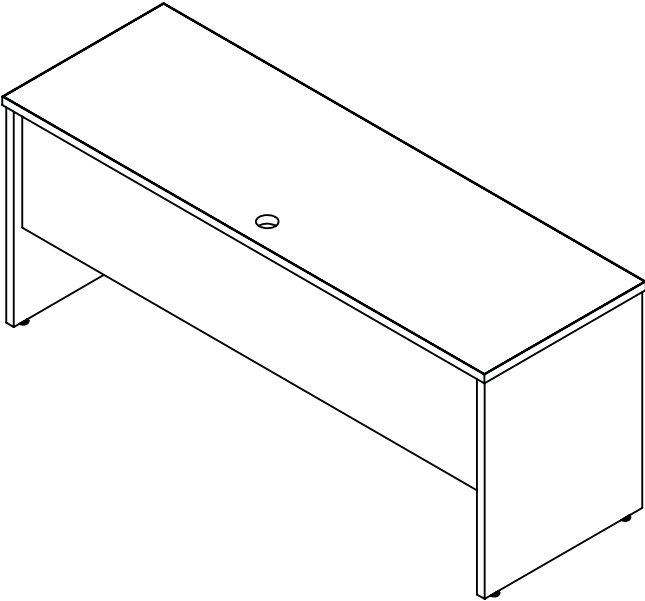


SCREW DRIVER



DRILL

3.



Questions?

Call Toll Free 1-844-2GEBESA
or email warranty@gebesa.com

Gebesa
CREATING AMAZING SPACES