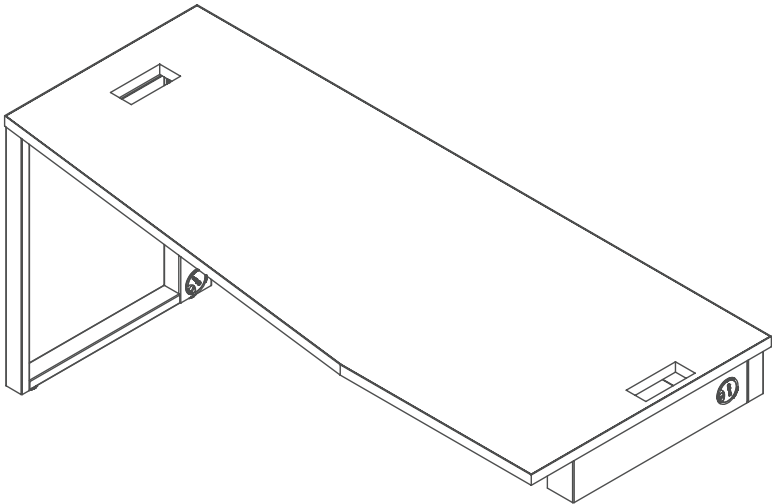


G-CONNECT

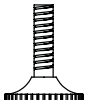
IRREGULAR DESK TO CREDENZA TOP ASSEMBLY INSTRUCTIONS



Gebesa
CREATING AMAZING SPACES

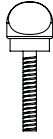
Questions?

Call Toll Free 1-844-2GEBESA or email warranty@gebesa.com



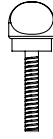
(G)
Leveler
1" x 1/4"

2x



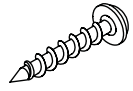
(H)
Hand bolt
1/2" x 1/4"

4x



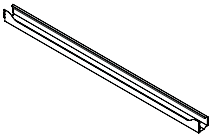
(I)
Hand bolt
1 1/2" x 1/4"

1x



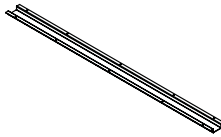
(J)
Wood screw
8 x 1"

10x



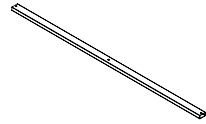
(B)
Front duct

1x



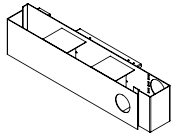
(F)
Worksurface stiffener

1x



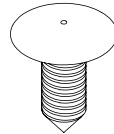
(C)
Structural stiffener

1x



(E)
Lateral duct

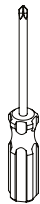
1x



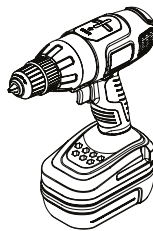
(K)
Plastic screw

2x

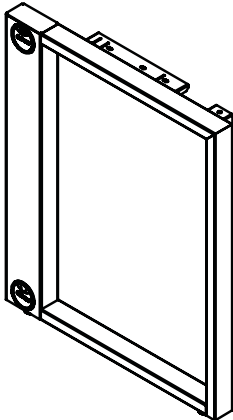
REQUIRED ASSEMBLY TOOLS
NOT INCLUDED



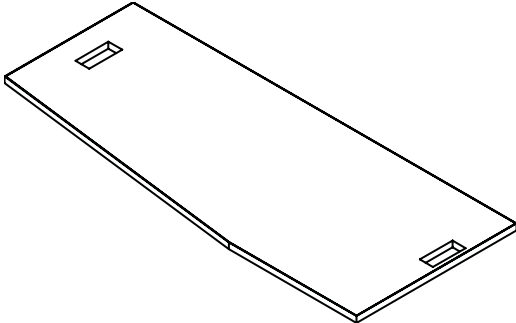
Screw driver



Drill

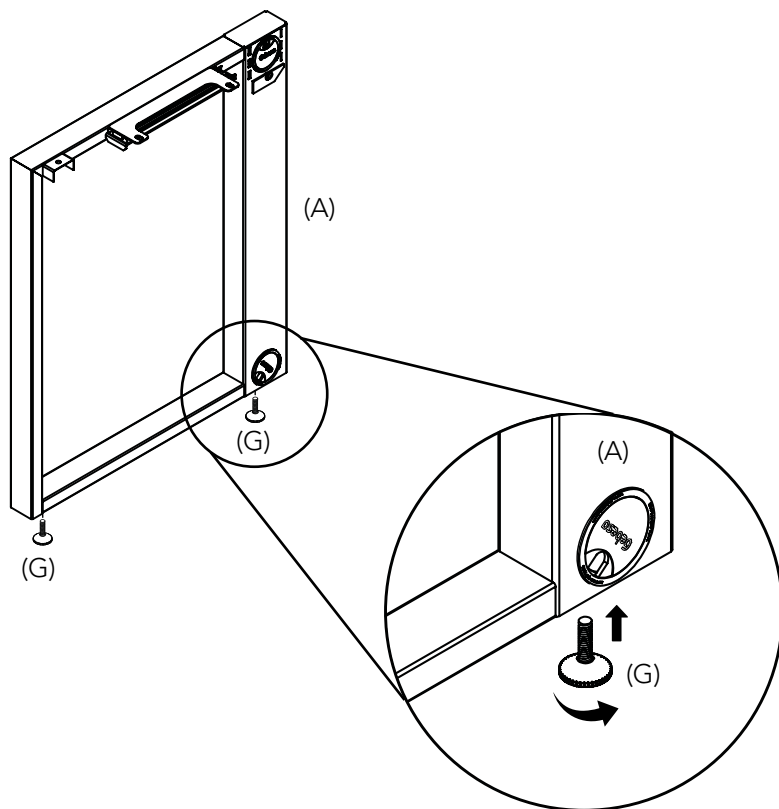


(A)
"O" leg
1x

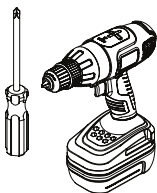


(D)
Worksurface
1x

1.

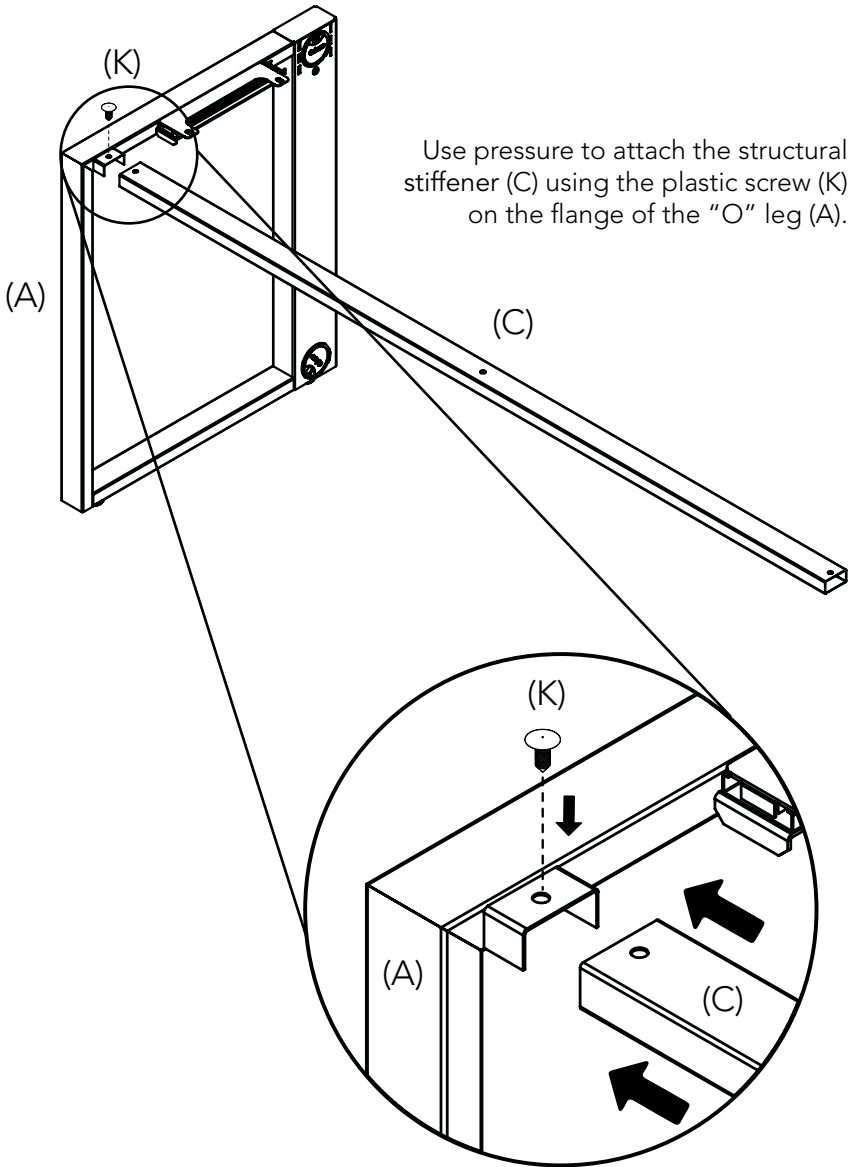


Adjust until completely balanced



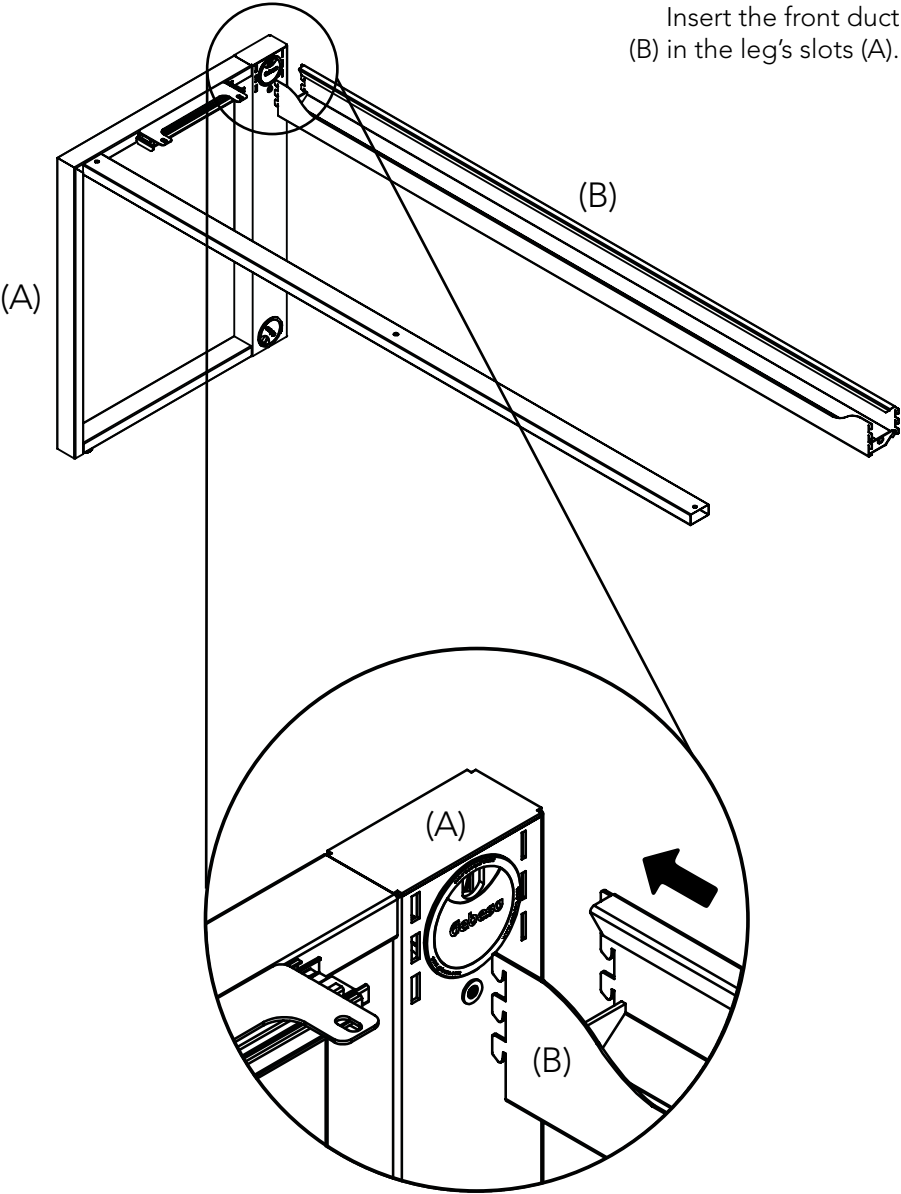
REQUIRED ASSEMBLY TOOLS
NOT INCLUDED

2.



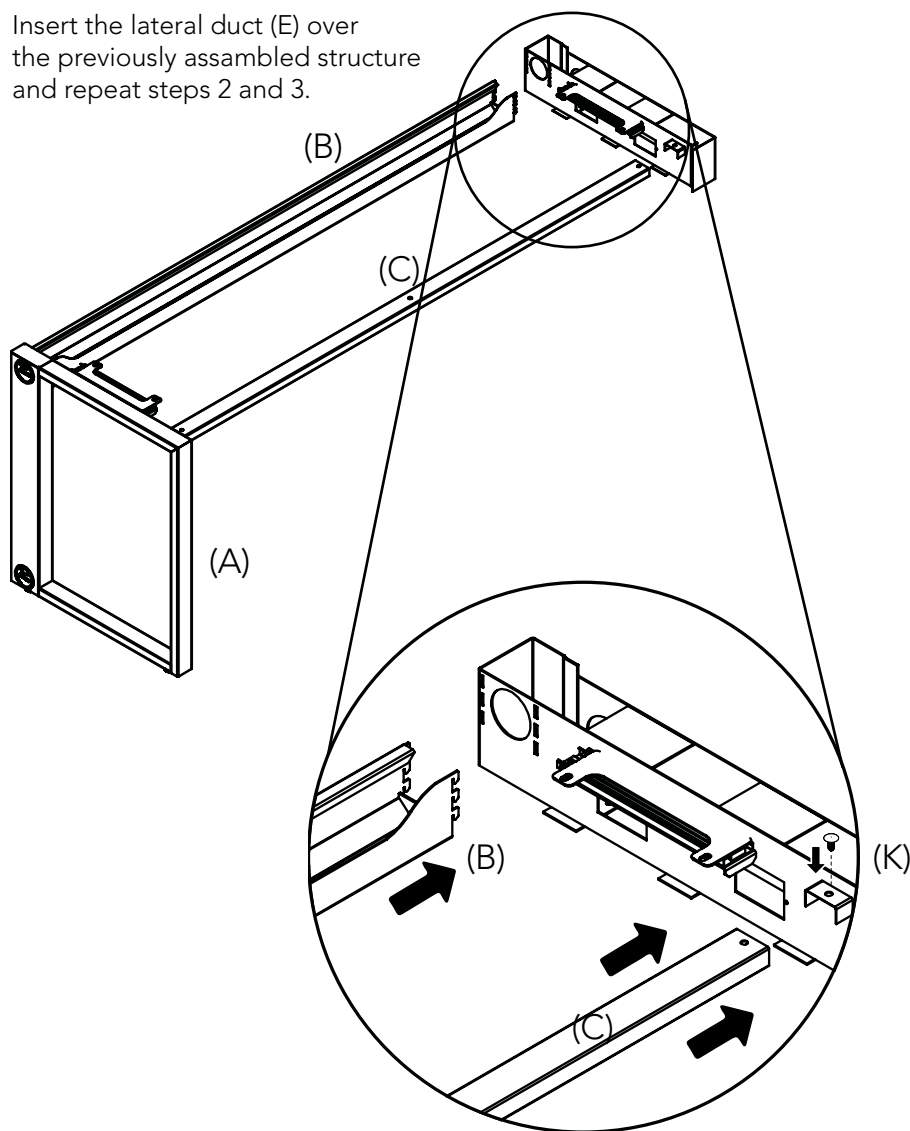
3.

Insert the front duct (B) in the leg's slots (A).

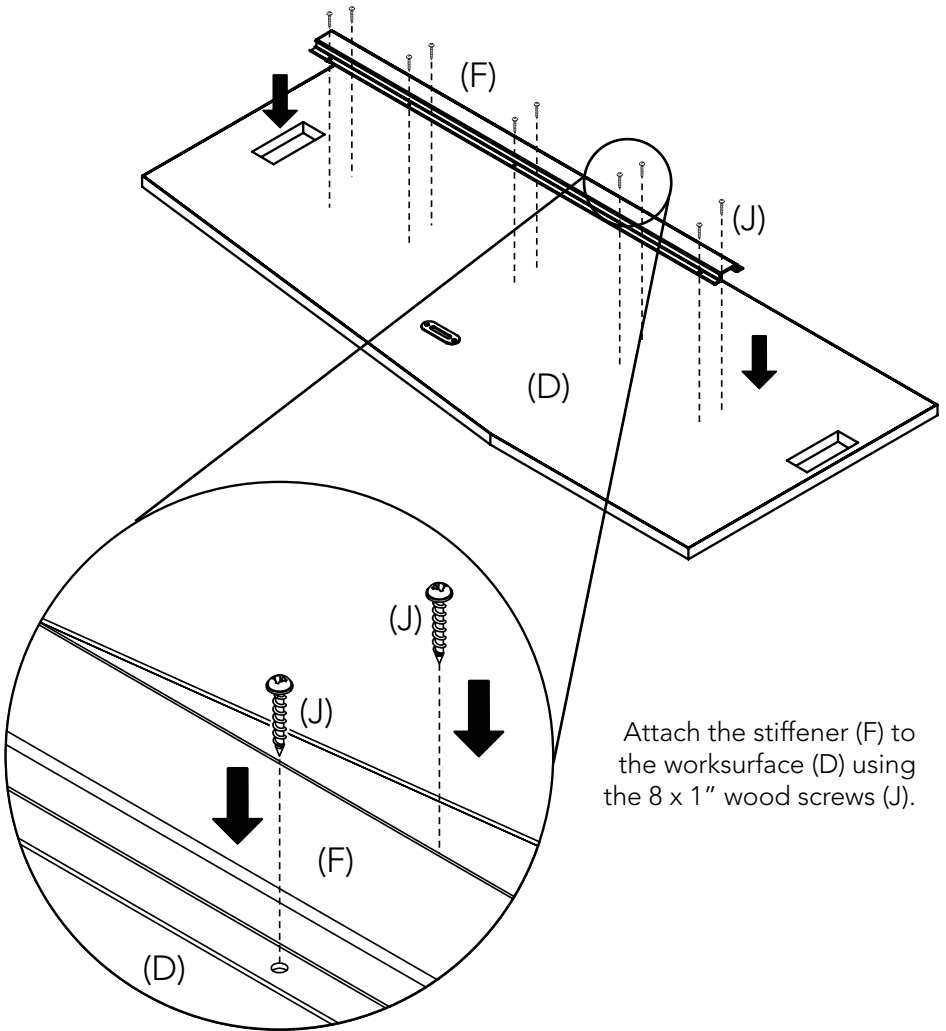


4.

Insert the lateral duct (E) over the previously assembled structure and repeat steps 2 and 3.



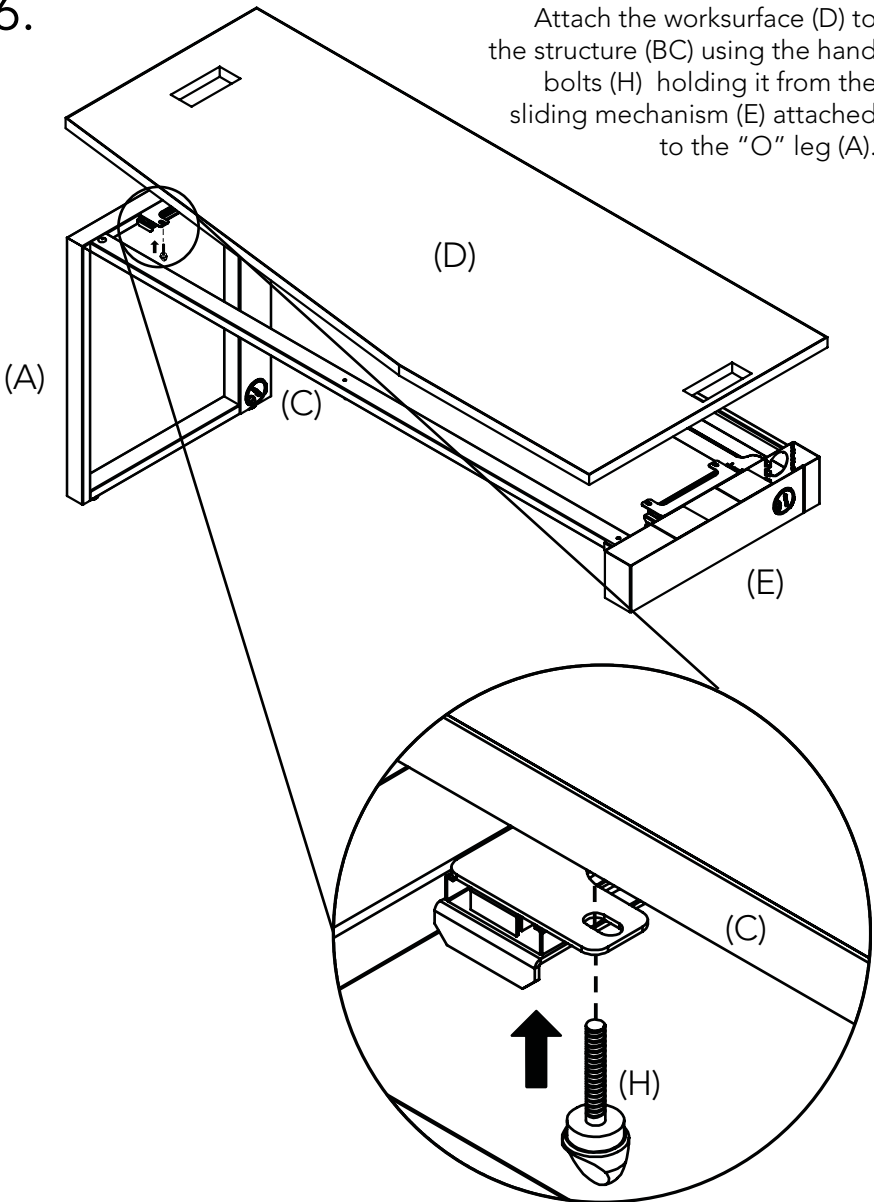
5.



Attach the stiffener (F) to the worksurface (D) using the 8 x 1" wood screws (J).

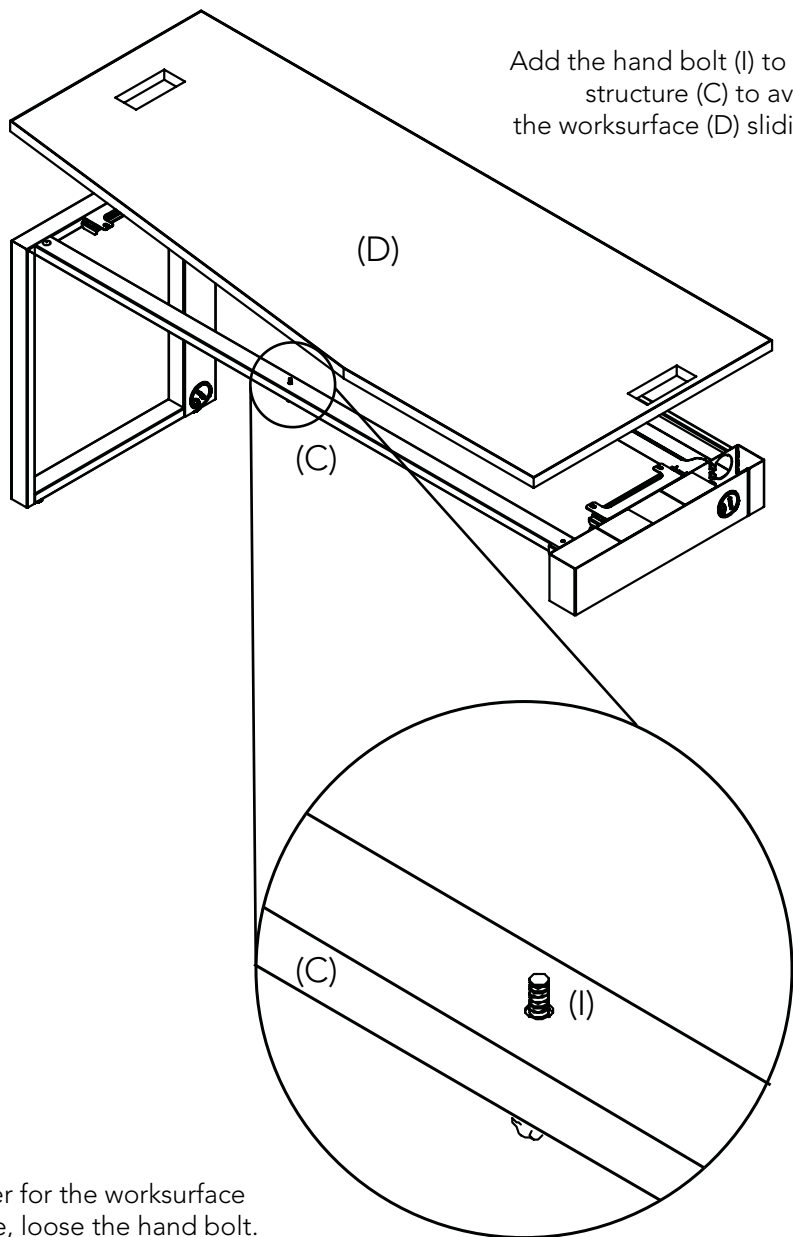
6.

Attach the worksurface (D) to the structure (BC) using the hand bolts (H) holding it from the sliding mechanism (E) attached to the "O" leg (A).

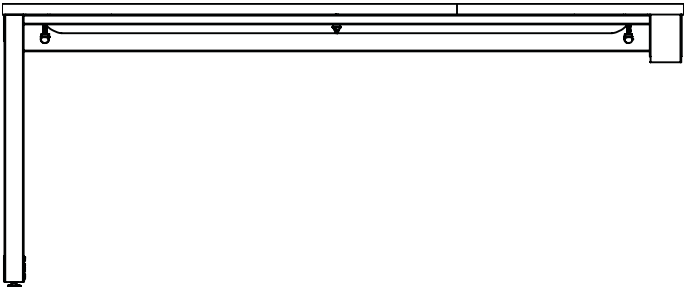
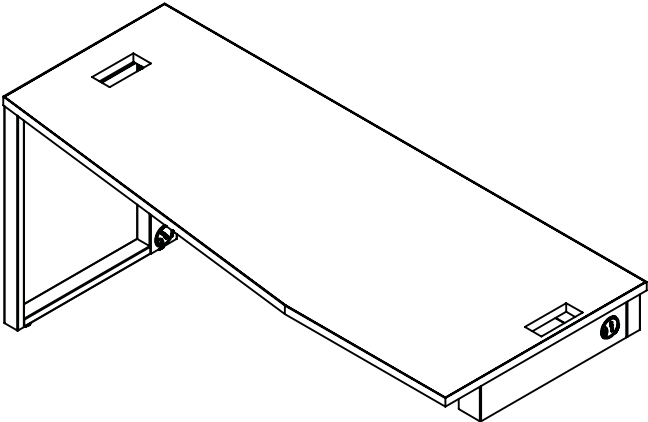


7.

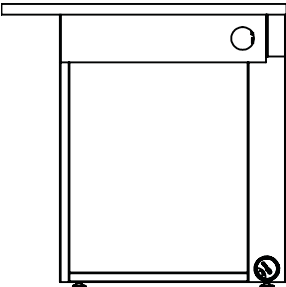
Add the hand bolt (I) to the structure (C) to avoid the worksurface (D) sliding.



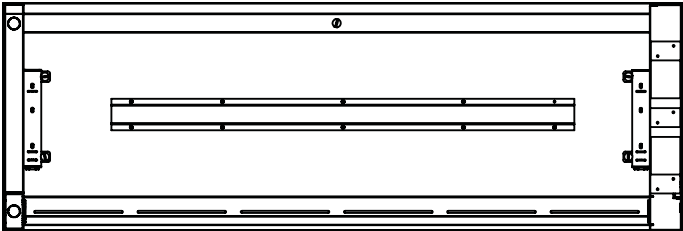
In order for the work surface to slide, loose the hand bolt.



Front view



Side view



Bottom view

Questions?

Call Toll Free 1-844-2GEBESA or email warranty@gebesa.com

Gebesa
CREATING AMAZING SPACES