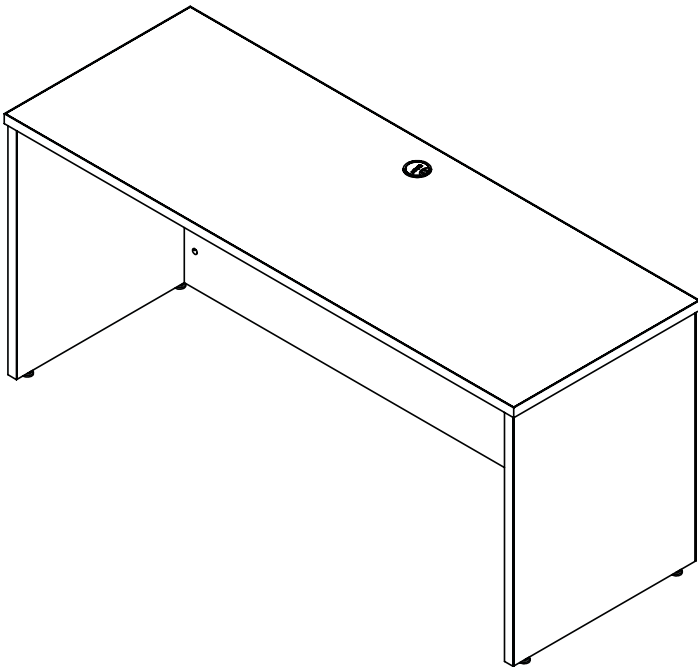


# PRIME

ASSEMBLY INSTRUCTION  
CREDENZA SHELL WITH FULL  
MODESTY PANEL



**Gebesa**  
CREATING AMAZING SPACES

Questions?

Call Toll Free 1-844-2GEBESA or email [warranty@gebesa.com](mailto:warranty@gebesa.com)

# PRIME - CREDENZA



(D)  
MINIFIX BARREL

11x



(E)  
MINIFIX BOLT

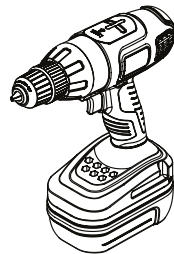
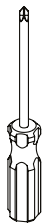
11x



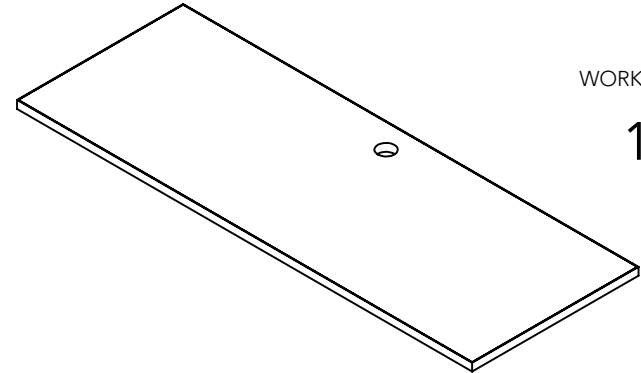
(F)  
MINIFIX CAP

11x

REQUIRED ASSEMBLY TOOLS NOT INCLUDED

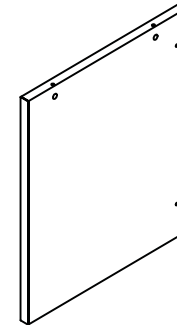


# PRIME - CREDENZA



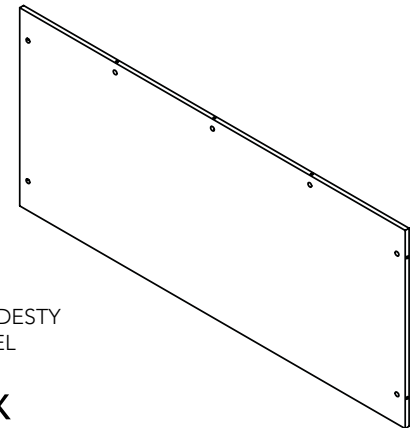
(A)  
WORKSURFACE

1x



(B)  
LATERAL RECESSED  
PANEL

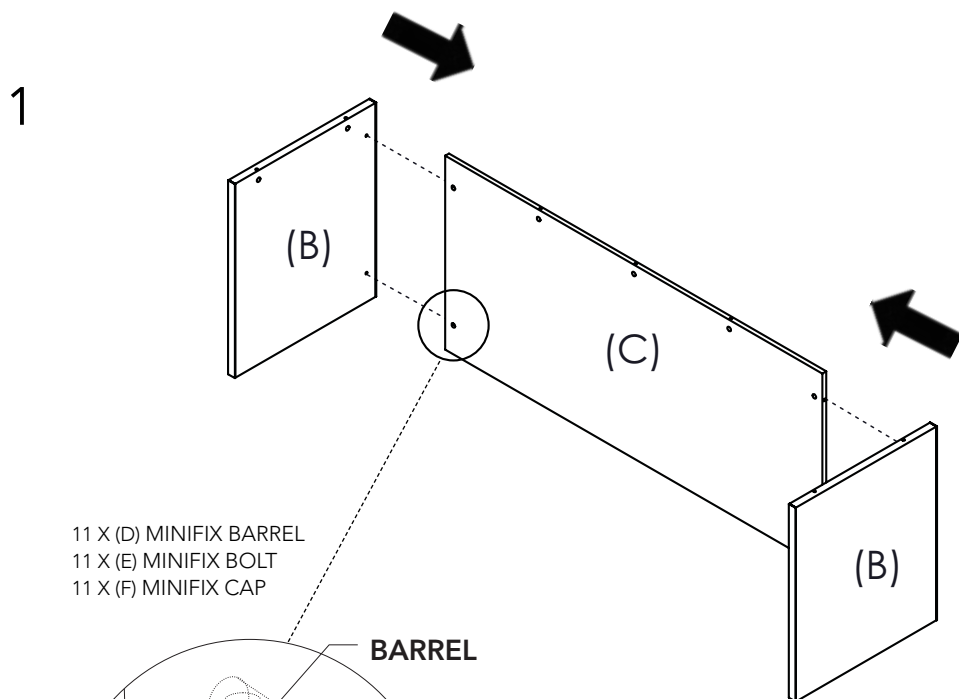
1x



(C)  
FULL MODESTY  
PANEL

1x

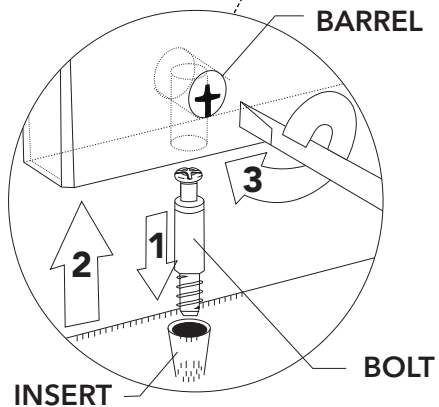
# PRIME - CREDENZA



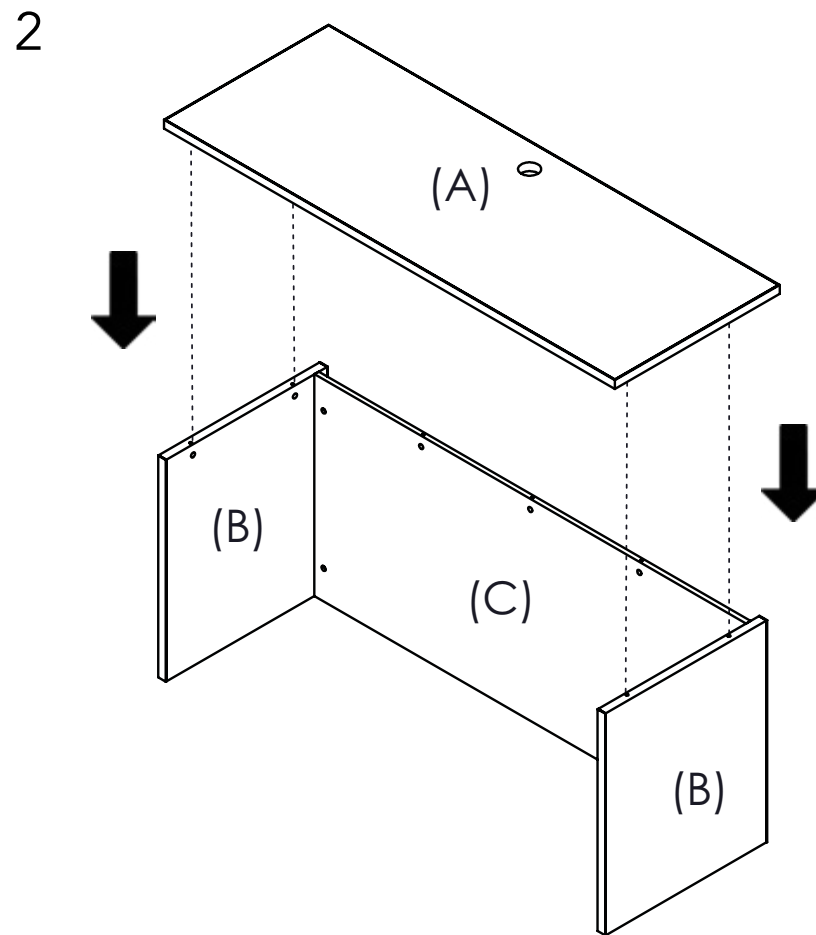
- 11 X (D) MINIFIX BARREL
- 11 X (E) MINIFIX BOLT
- 11 X (F) MINIFIX CAP

BARREL

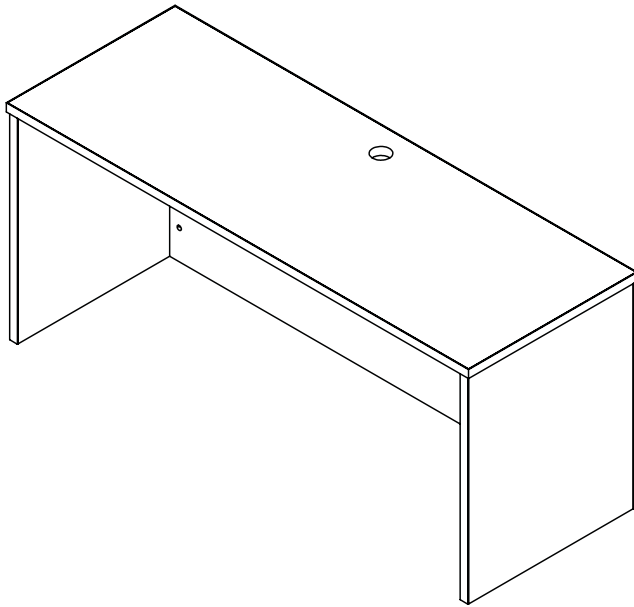
MINIFIX UNION



# PRIME - CREDENZA



3



Questions?

Call Toll Free 1-844-2GEBESA  
or email [warranty@gebesa.com](mailto:warranty@gebesa.com)

**Gebesa**  
CREATING AMAZING SPACES