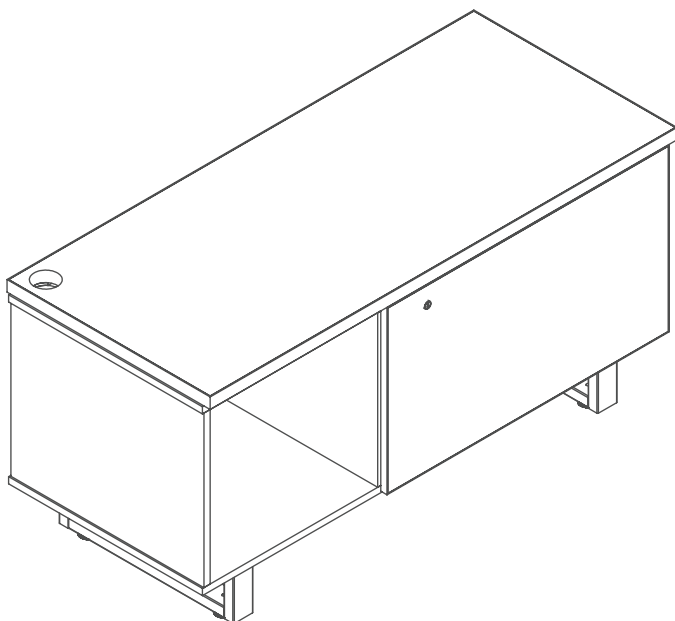


G-CONNECT

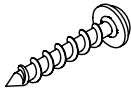
CREDENZA ASSEMBLY MANUAL



COD. GBG532120

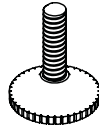
Gebesa
CREATING AMAZING SPACES

Questions?
Call Toll Free 1-844-2GEBESA or email warranty@gebesa.com



(C)
8 x 5/8" Wood screw

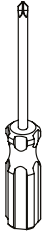
24x



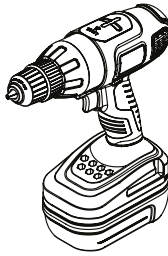
(D)
1 x 1/4" Leveler

4x

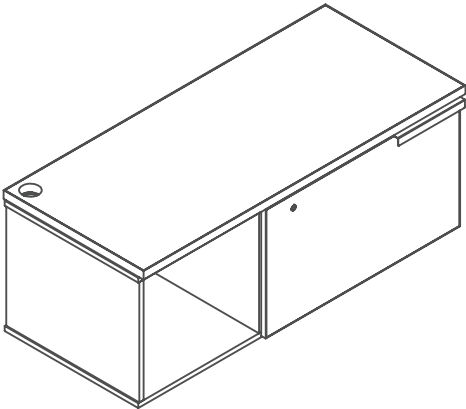
REQUIRED ASSEMBLY TOOLS NOT INCLUDED



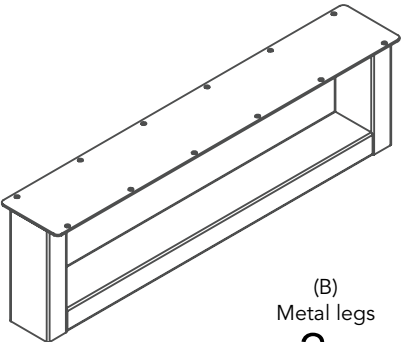
Screw driver



Drill

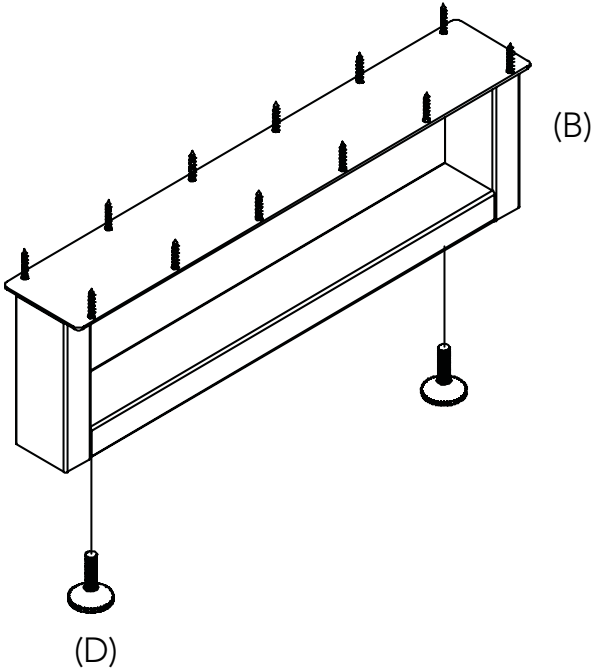


(A)
Credenza
1x

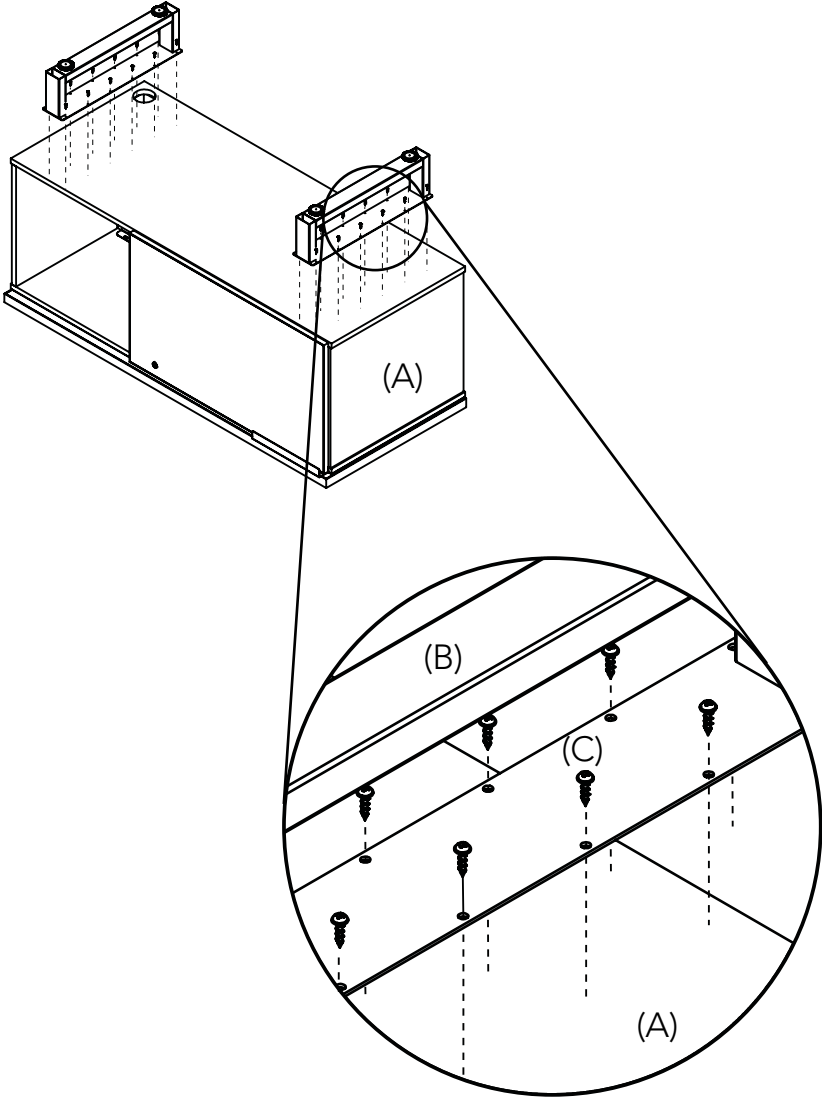


(B)
Metal legs
2x

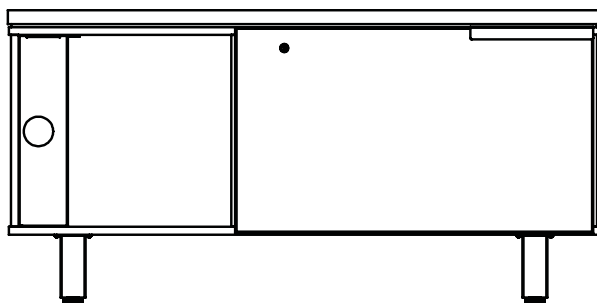
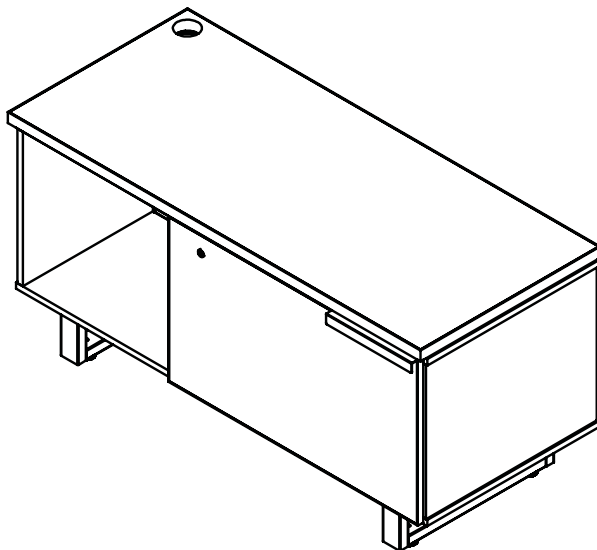
1. Add levelers to the metal legs.



2. Turn Credenza upside down to attach the metal legs to the furniture.



3.



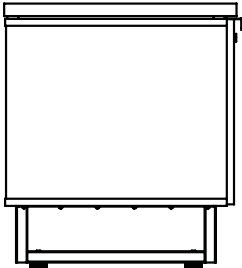
Front view



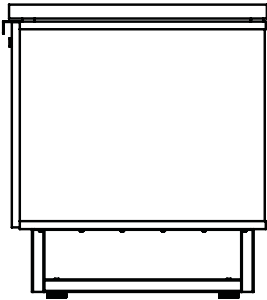
Top view



Bottom view



Left side view



Right side view

Questions?

Call Toll Free 1-844-2GEBESA
or email warranty@gebesa.com

Gebesa
CREATING AMAZING SPACES