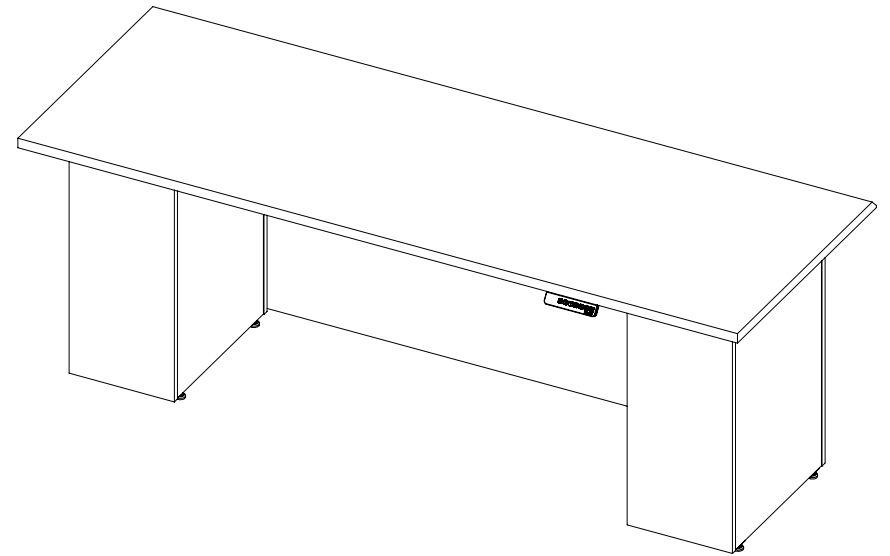


BENTO

ASSEMBLY MANUAL
HEIGHT-ADJUSTABLE DESK



Gebesa
CREATING AMAZING SPACES

Gebesa
CREATING AMAZING SPACES

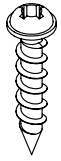
Questions?
Call Toll Free 1-844-2GEBESA or email warranty@gebesa.com

BENTO HEIGHT-ADJUSTABLE DESK



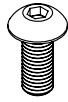
#8 X 5/8"
SCREW

55x



#12 X 1"
SCREW

16x



ALLEN BOLT
M6 X 12MM

8x



LOCK
WASHER M6

8x



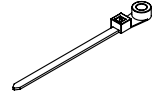
LEVELER

8x



FLAT
WASHER 1/4"

16x



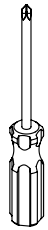
WIRE MANAGEMENT
CLIPS

5x

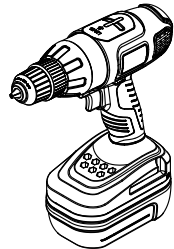
REQUIRED ASSEMBLY TOOLS NOT INCLUDED



HEX KEY



SCREW DRIVER



DRILL

Questions?

Call Toll Free 1-844-2GEBESA
or email warranty@gebesa.com

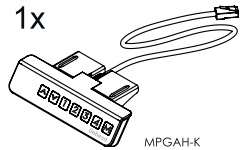
1x



MPGAH-K20

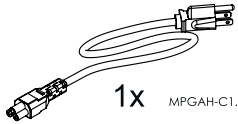
or

1x



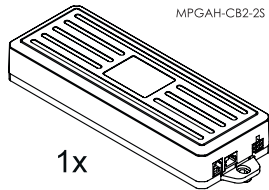
MPGAH-K

1x



MPGAH-C1.3

1x



MPGAH-CB2-2S (2-stage)

BENTO HEIGHT-ADJUSTABLE DESK

HANDSET LOCK (some models)

To lock the handset:

Press and hold the "M" button (for about 8 seconds) until the LED display switches to "S-" and then to "LOC". Release the button.

To unlock the handset:

Press and hold the "M" button (for about 8 seconds) until the LED switches from "LOC" to the height display. Release the button.

SWITCHING FROM INCHES TO CENTIMETERS (some models)

Press the DOWN button on the Handset until the base reaches its lowest position. Press and hold the DOWN button again until the LED display reads "RST."

Press and hold the 2 button (for about 5 seconds) while the LED flashes "RST" and then switches to either:

10.3 = cm

10.4 = inches

Release the 2 button. Press and hold the 2 button again until the desired setting is reached. Once the chosen setting is displayed, release the button and wait for about 5 seconds for the display to return to "RST."

Finish the reset process by pressing and holding the DOWN button until the desk lowers a little bit more, slightly rises and stops. Release the button.

The new measurement setting is saved and your desk is now ready to use.

CHANGING ANTI-COLLISION SENSITIVITY

Press the DOWN button on the Handset until the base reaches its lowest position. Press and hold the DOWN button again until the LED display reads "RST".

Press and hold the UP button (for about 5 seconds) while the LED flashes "RST" and then switches to either:

10.5 = 10 kg. Pressure (most sensitive)

10.6 = 15 kg. Pressure (middle sensitivity)

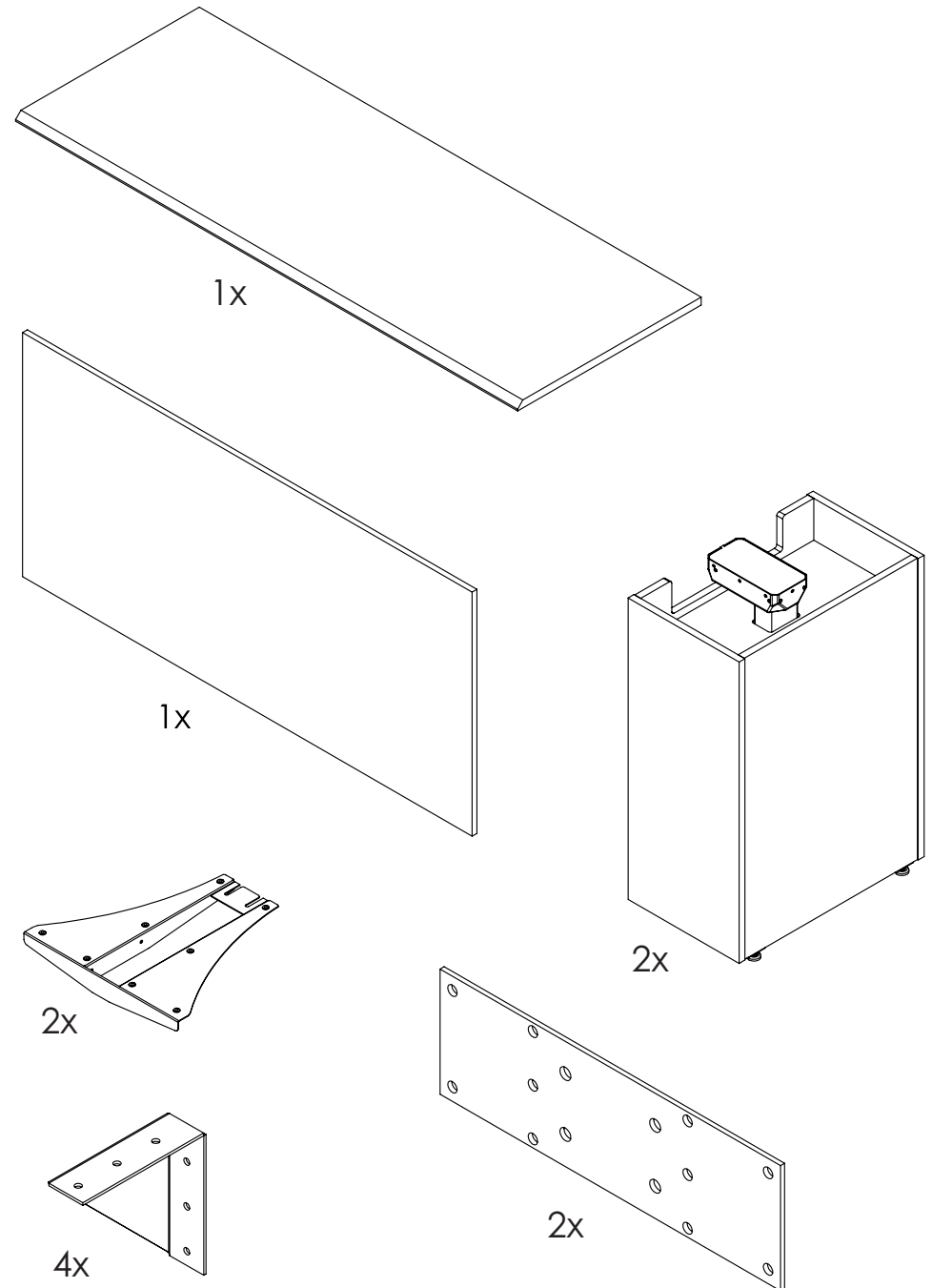
10.7 = 20 kg. Pressure (least sensitive)

Release the UP button. Press and hold the UP button again until the desired setting is reached. Once the chosen setting is displayed, release the button and wait for about 5 seconds for the display to return to "RST."

Finish the reset process by pressing and holding the DOWN button until the desk lowers a little bit more, slightly rises and stops. Release the button.

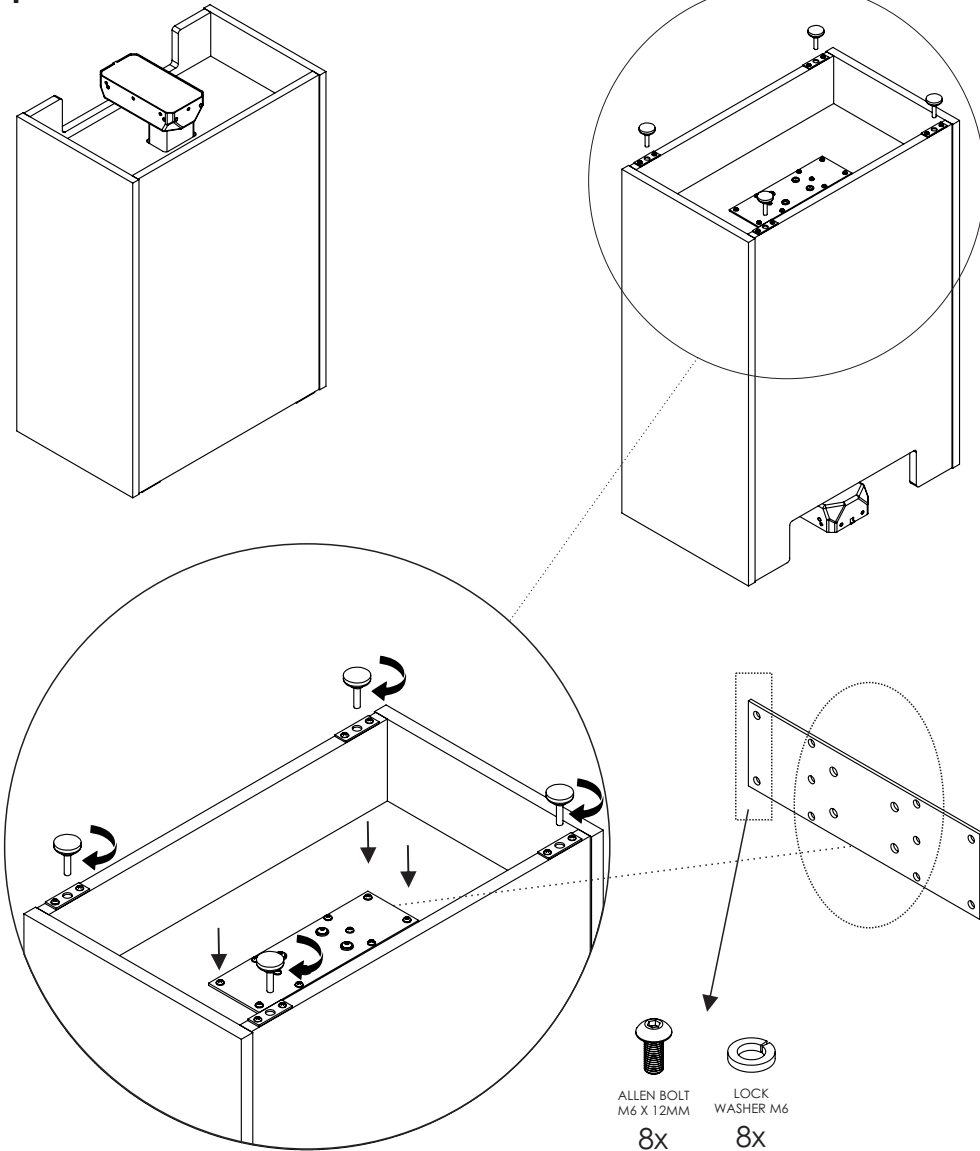
The new anti-collision sensitivity is saved and your desk is now ready to use.

BENTO HEIGHT-ADJUSTABLE DESK



BENTO HEIGHT-ADJUSTABLE DESK

1



BENTO HEIGHT-ADJUSTABLE DESK

PROGRAMMING (memory handset models)

Press the DOWN button on the handset until the base reaches its lowest position. Press and hold the DOWN button again until the LED display reads "RST".

Press and hold button number 1 (for about 5 seconds) while the LED flashes "RST" and then switches to either: RST

10.1 = One-Touch

10.2 = Constant-Touch

Release button number 1. Press button number 1 again until the desired setting is reached. Once the chosen setting is displayed, release the button and wait for about 5 seconds for the display to return to "RST".

Finish the reset process by pressing and holding the DOWN button until the desk lowers a little bit more, slightly rises and stops. Release the button.

The new programmed setting is saved and your desk is now ready to use.

SETTING THE UPPER AND LOWER LIMITS

This base is designed to go to its minimum and maximum heights, allowing for the widest possible range. If you prefer to change the settings to a more narrow range, follow these steps:

Make sure the power is ON and a number reads in the LED display (if no number appears, please follow the Reset procedure described in the USE section)

To set the upper-limit position:

Use the UP/DOWN buttons to move the base to the desired maximum-height position. Press the "M" button and release. Press the UP button and release. The LED display will flash "S -". Press and hold the "M" button (about 2 seconds) until the LED display changes to "999". The display will automatically return to the selected height. The new upper limit is now set.

To set the lower-limit position:

Use the UP/DOWN buttons to move the base to the desired maximum-height position. Press the "M" button and release. Press the UP button and release. The LED display will flash "S -". Press and hold the "M" button (about 2 seconds) until the LED display changes to "000". The display will automatically return to the selected height. The new lower limit is now set.

To remove the upper/lower limit positions:

Press and hold the "M" button until the LED display flashes "S -" and then release it. Within 5 seconds, press the "M" button again and hold for 2 seconds. The LED display will change to "555" and then automatically return to the height. The upper and lower limits are now removed.



A RESET procedure requires the desk base to full retract (beyond any lower limit set). Please ensure that you have the proper clearance below the desk base.



After the upper and lower limits are set, the previous memory positions (1, 2, 3, 4) may be outside the new range of movement. If so, simply reset the memory positions.

BENTO HEIGHT-ADJUSTABLE DESK

USE



Make sure no obstacles are in the desk's way.
Make sure the desktop is not touching any walls.
Make sure all cords have the appropriate length in order to adjust to the height.



IMPORTANT: You must RESET the desk prior to use.

RESET PROCEDURE: Press and hold the DOWN button on the handset until the desk reaches its lowest height. Release the DOWN button. Press and hold the DOWN button again until the LED display reads "RST" for about 10 seconds.

On non-LED handset models:
Release the DOWN button. Press and hold the DOWN button again until the desk lowers a little bit more, slightly rises and stops. Release the DOWN button.

Your desk is now ready to use.

The desk base can be adjusted by pressing and holding either the UP or DOWN button until the desired height is reached.

To program up to four presets (on memory handsets): Use the up/down buttons to find a desired height, then press "M" followed by a number 1-4.

CAUTION: Once a preset button is pushed, the desk will move to the programmed height (see caution box above).

TROUBLESHOOTING

If your desk is not functioning properly it may need to be reset. Follow the RESET procedure outlined in the USE section.

If your desk has a handset with an LED readout and it displays "RST" (reset), perform the reset procedure outlined in the USE section.

If the LED readout displays an error message ("Er1" - "Er13") confirm that all wired connections are secure (legs to cables, cables to control box). Then perform the reset procedure outlined in the USE section.

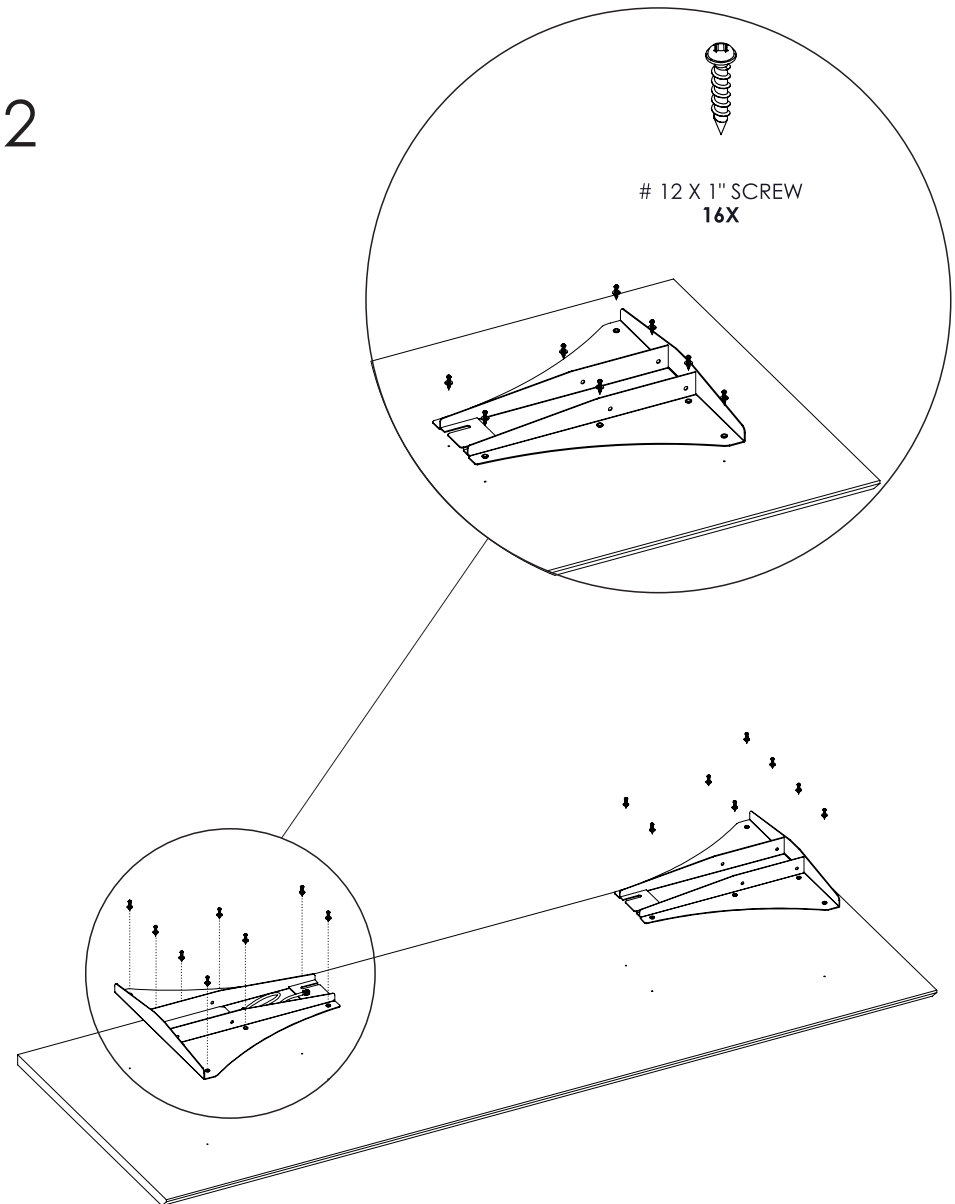
If the error message persists after the reset procedure, contact your seller.

If the height between the legs exceeds 1.5 inches, stop the reset procedure & contact your seller.

If the handset displays "HOT", let the base cool down for 20 minutes.

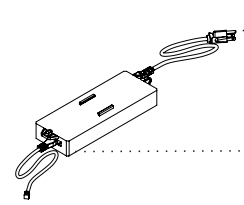
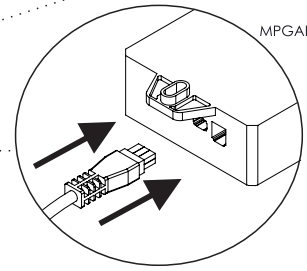
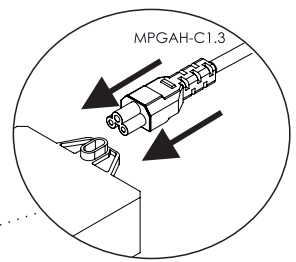
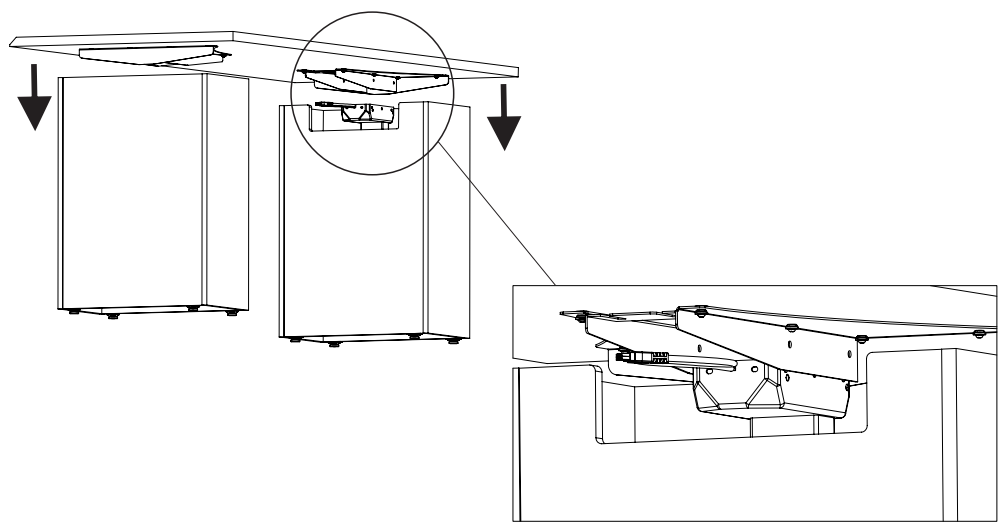
BENTO HEIGHT-ADJUSTABLE DESK

2

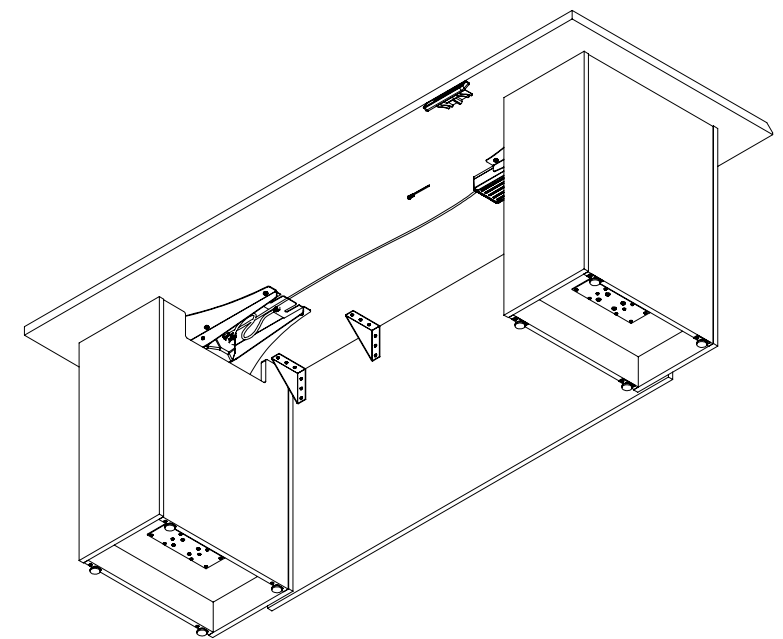
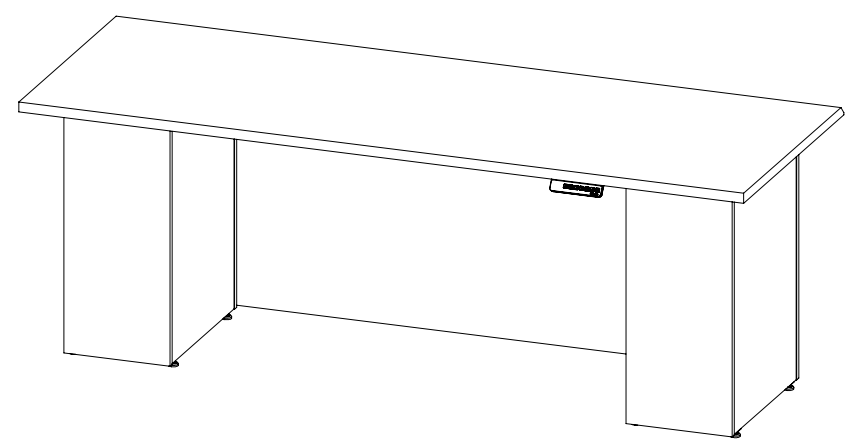


BENTO HEIGHT-ADJUSTABLE DESK

3

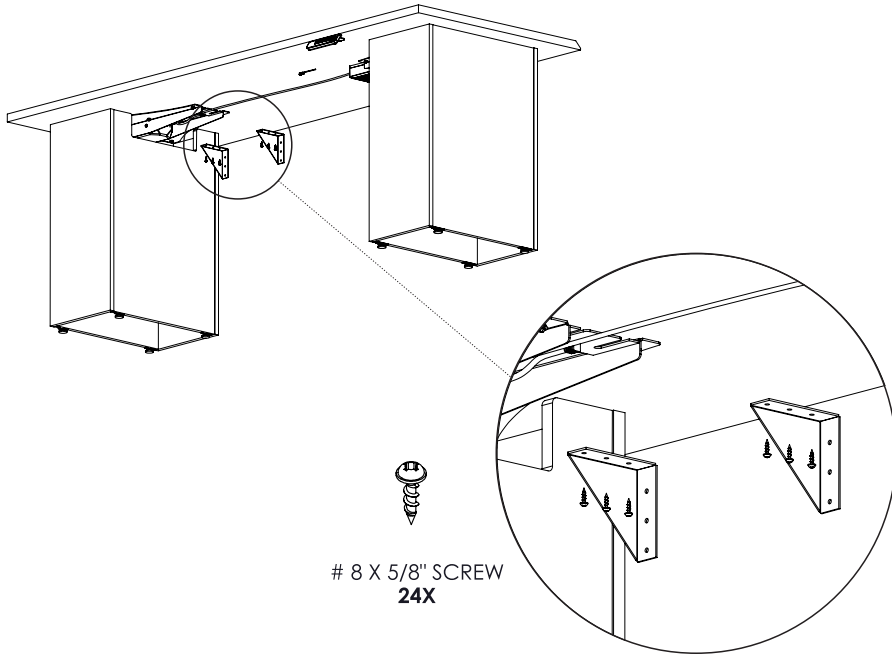


BENTO HEIGHT-ADJUSTABLE DESK

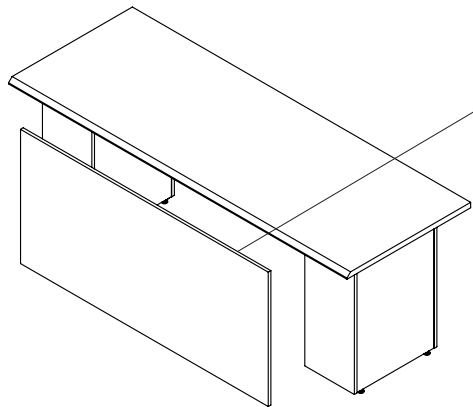
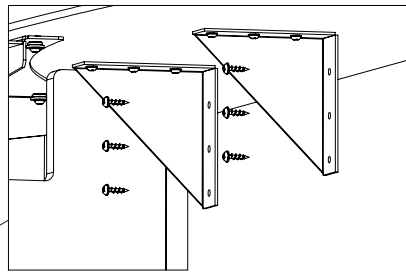


BENTO HEIGHT-ADJUSTABLE DESK

7



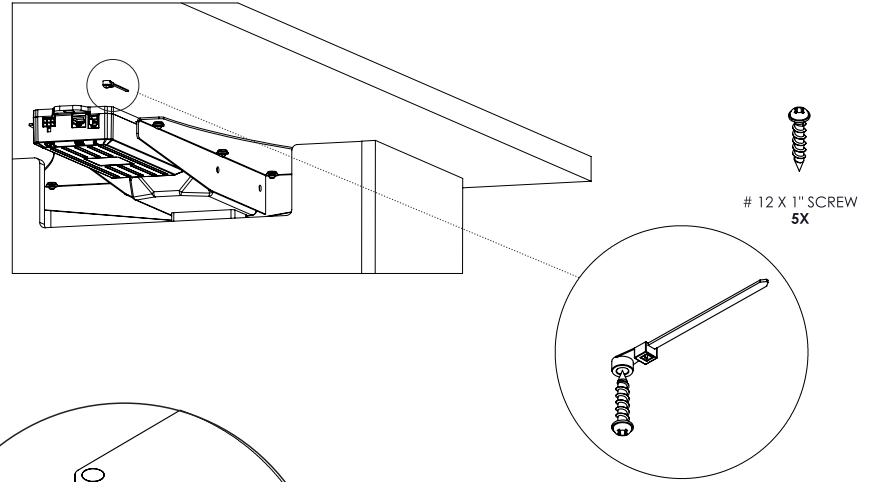
8 X 5/8" SCREW
24X



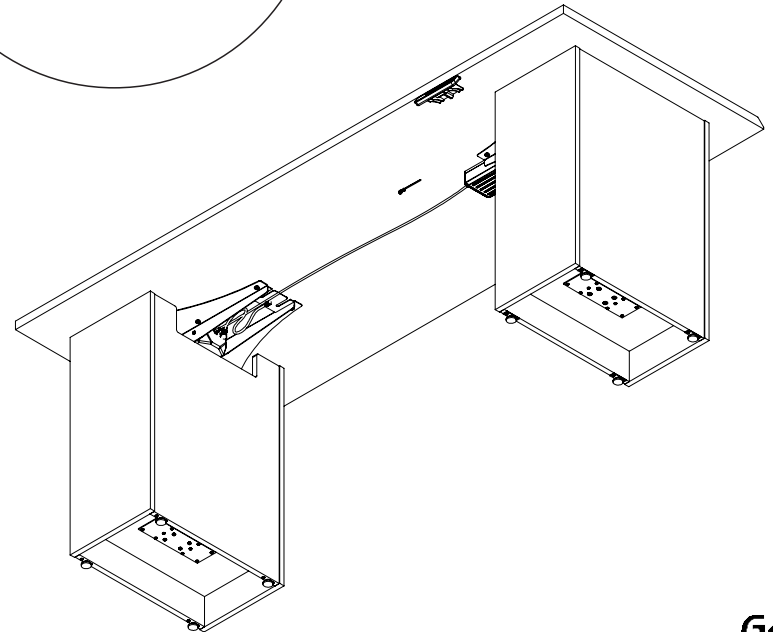
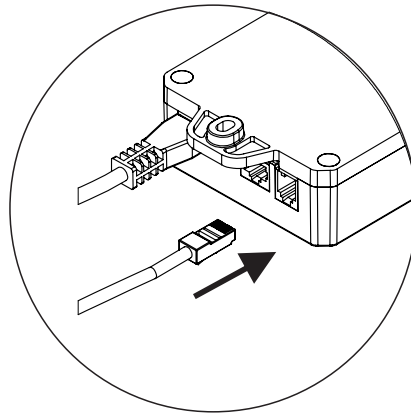
10

BENTO HEIGHT-ADJUSTABLE DESK

4



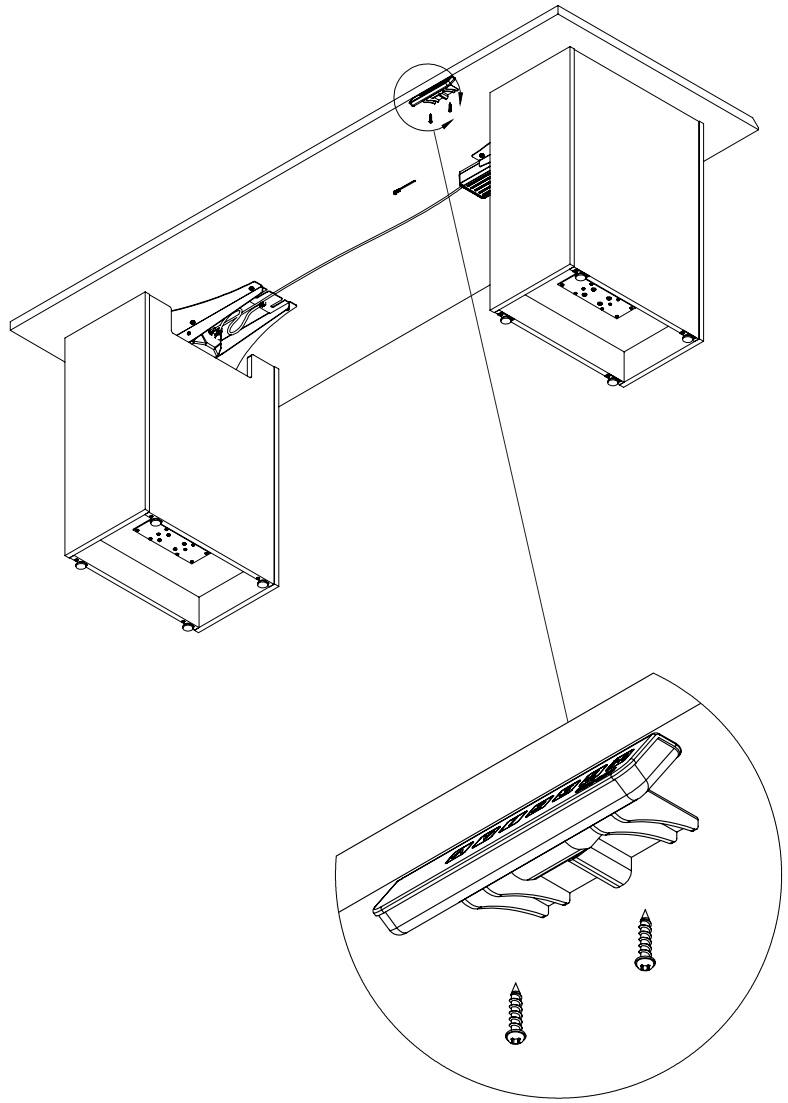
12 X 1" SCREW
5X



7

BENTO HEIGHT-ADJUSTABLE DESK

5

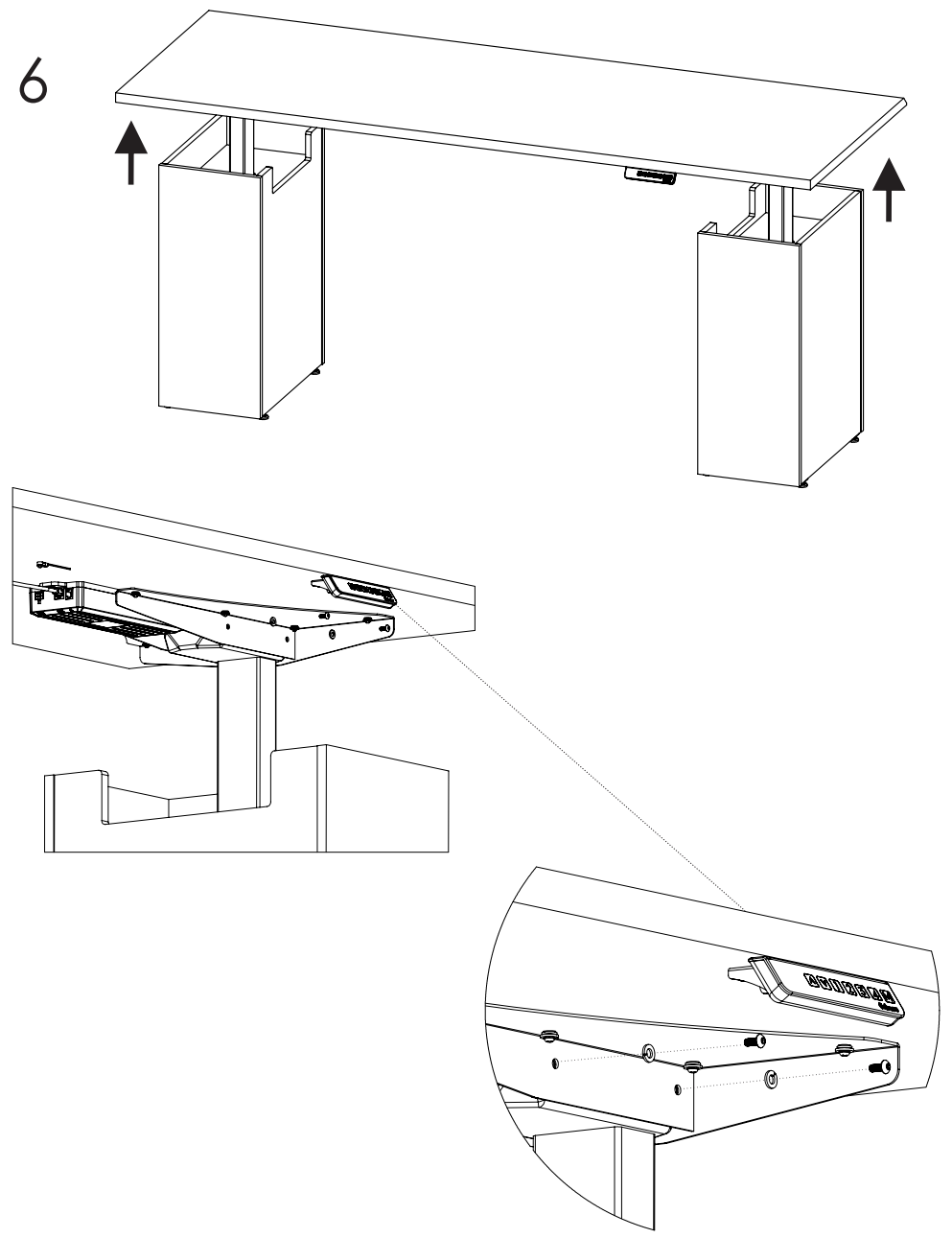


8


8 X 5/8" SCREW
2X

BENTO HEIGHT-ADJUSTABLE DESK

6



9